

DX SCORE: \*\*\* FINAL \*\*\*

Date: 03-17-88 Site: State Tourney, Louisville Attendance: 15,940

Team: Maysville

NO.	NAME	TOTAL FG		3-POINT		FT	FTA	REB			PF	TP	A	TO	BLK	S	MIN
		FG	FGA	FG	FGA			O	D	T							
22	King, Jerry	3	8	0	2	0	0	1	2	3	2	6	0	1	0	2	28
35	Moore, Pat	8	14	1	1	4	4	3	1	4	1	21	0	0	0	0	32
25	Wilburn, Chris	7	14	0	0	2	2	6	2	8	4	16	0	2	1	4	31
12	Case, Mike	1	10	0	3	3	4	2	3	5	4	5	4	3	0	3	30
14	Simpson, J. D.	3	6	1	1	0	0	0	0	0	1	7	0	3	0	2	21
24	Turner, Jerome	3	6	0	1	1	3	0	0	0	4	7	0	2	0	2	17
34	King, Terry	0	0	0	0	0	0	0	1	1	0	0	0	0	0	0	1
10	Greene, Randy	0	1	0	0	0	0	0	0	0	0	0	0	0	0	0	0
TEAM								1	1	2							
TOTALS		25	59	2	8	10	13	13	10	23	16	62	4	11	1	13	160
Percentages:		Game-----		FG	25/ 59	42.4%	3-PT.	2/ 8	25.0%	FT	10/ 13	76.9%					
		Period 1			7/ 12	58.3%		0/ 0	0.0%		2/ 2	100.0%					
		Period 2			6/ 18	33.3%		0/ 2	0.0%		0/ 0	0.0%					
		Period 3			5/ 8	62.5%		1/ 1	100.0%		5/ 6	83.3%					
		Period 4			7/ 21	33.3%		1/ 5	20.0%		3/ 5	60.0%					

Team: LaRue County

NO.	NAME	TOTAL FG		3-POINT		FT	FTA	REB			PF	TP	A	TO	BLK	S	MIN
		FG	FGA	FG	FGA			O	D	T							
30	Boley, Scott	15	23	0	1	3	4	6	7	13	3	33	1	2	3	0	32
34	Childress, J.J.	5	6	2	2	2	2	1	5	6	2	14	1	5	0	0	32
22	Reuter, Jason	5	10	0	0	0	1	3	4	7	2	10	0	2	0	0	32
14	Childress, Paul	1	2	0	1	7	9	0	3	3	1	9	3	7	0	2	32
20	Abrams, Cliff	1	5	0	0	1	2	0	0	0	1	3	0	1	0	0	28
12	Lee, Jason	0	0	0	0	0	0	1	0	1	0	0	0	1	0	0	4
TEAM								2	1	3							
TOTALS		27	46	2	4	13	18	13	20	33	9	69	5	18	3	2	160
Percentages:		Game-----		FG	27/ 46	58.7%	3-PT.	2/ 4	50.0%	FT	13/ 18	72.2%					
		Period 1			7/ 13	53.8%		1/ 1	100.0%		0/ 0	0.0%					
		Period 2			10/ 14	71.4%		0/ 0	0.0%		0/ 0	0.0%					
		Period 3			5/ 12	41.7%		1/ 3	33.3%		2/ 2	100.0%					
		Period 4			5/ 7	71.4%		0/ 0	0.0%		11/ 16	68.8%					

OFFICIALS: Ernie Liggett, Dwight Gordon  
 TECHNICALS: None

SCORE BY PERIODS

Maysville	15	12	16	18	= 62
LaRue County	15	20	13	21	= 69

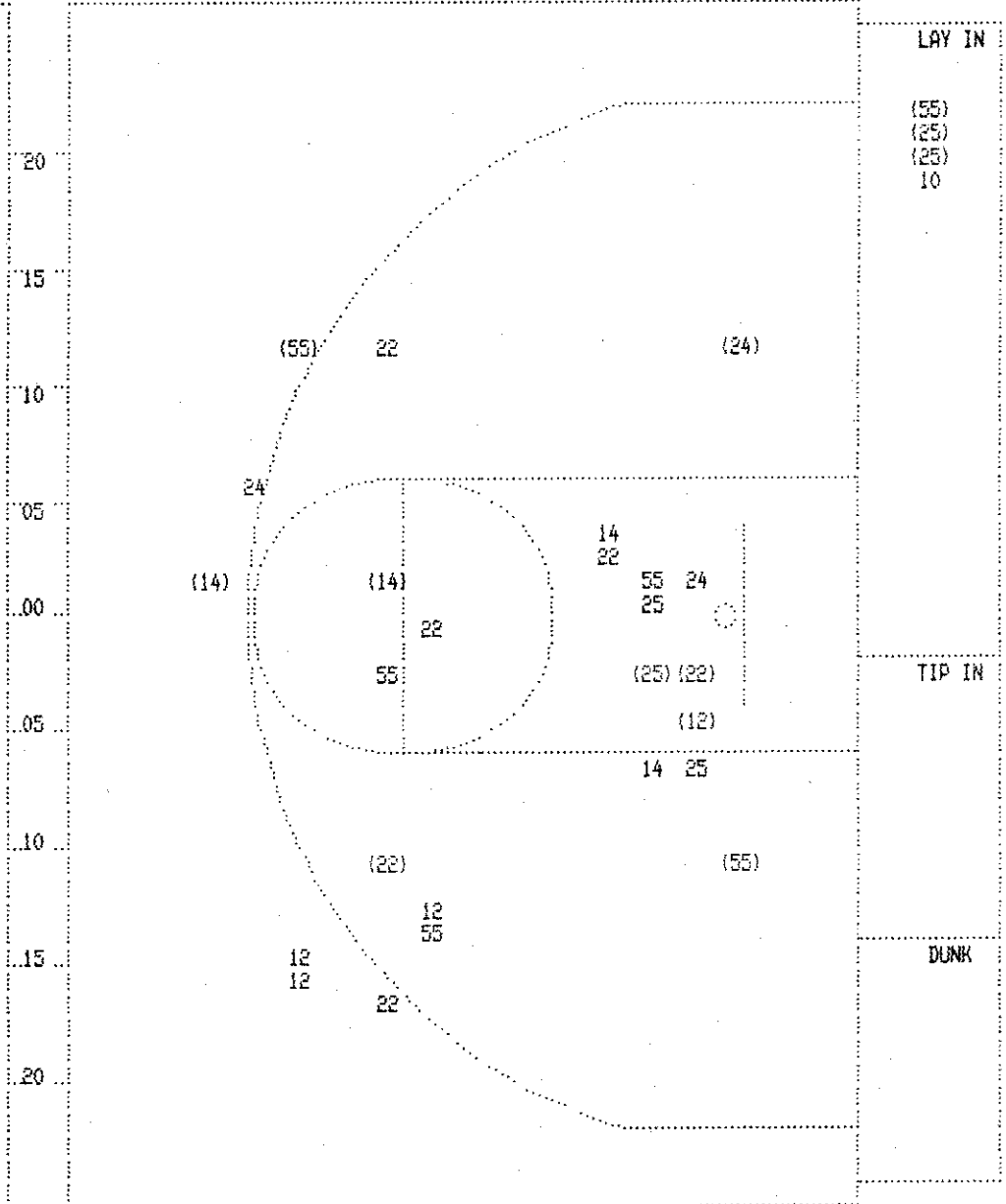
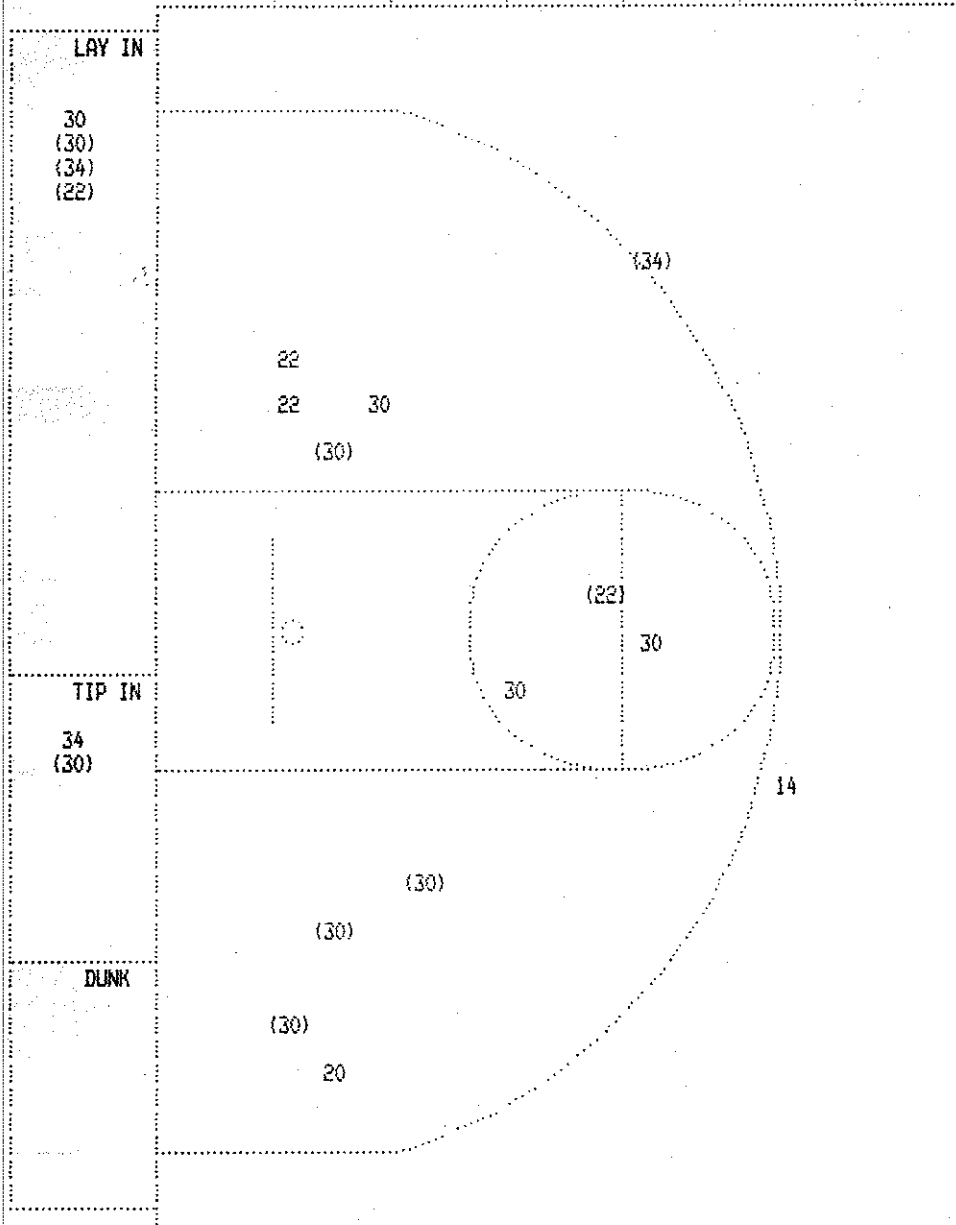
Player	Team	LaRue County	Time	Score	Maysville	Player	Team
Boley, Scott, Childress, J.J., Reuter, Jason, Childress, Paul, Abrams, Cliff					King, Jerry, Moore, Pat, Wilburn, Chris, Case, Mike, Simpson, J. D.		
			4 7:10	48-46*	Ball to Bulldogs		
			4 7:10		Driving Layup by Wilburn, Chris		
			4 7:10		Foul on King, Jerry		
0-1	00.0%	2-3 66.6%	4 7:08	*51-46			
13-20	65.0%	23-40 57.5%	4 6:50		Foul on Wilburn, Chris		
Childress, Paul, 1 & Bonus missed 1st			4 6:50	*53-46			
Follow Layup by Boley, Scott			4 6:35	53-48*	4 ft Lane Follow by Case, Mike		
2-2	100%	4-5 80.0%	4 6:14	*55-48			
Boley, Scott, 1 & Bonus made both			4 5:27		Sub In: Turner, Jerome Out: Simpson, J. D.		
			4 5:27		Turner, Jerome, 2 Free Throws missed both		
5-6	83.3%	24-41 58.5%	4 4:39		REB: 18 A: 3 BLK: 1 TO: 10 PF: 6		
Driving Layup by Childress, J.J.			T I M E - O U T		Maysville No. 1		
1 4 Foul on Childress, J.J.					S: 10 FT: 7-10 70.0% FG: 20-46 43.4%		
			4 4:12	*56-48			
REB: 26 A: 4 BLK: 2 TO: 15 PF: 4			4 3:58	56-50*	10 ft Right Base Line Jump shot by Moore, Pat		
S: 2 FT: 4-5 80.0% FG: 24-42 57.1%			4 3:48	56-52*	Driving Layup by Wilburn, Chris		
14-21	66.6%	25-43 58.1%	4 3:27	*58-52			
16 ft Left Base Line Turnaround by Boley, Scott			4 3:27		Foul on Turner, Jerome		
			4 3:27				
5-10	50.0%	26-44 59.0%	4 3:00	*60-52			
Turnaround Layup by Reuter, Jason			4 2:40		60-54* Wilburn, Chris, 1 & Bonus made both		
1 5 Assist by Boley, Scott			4 2:04		Foul on Wilburn, Chris		
0-1	00.0%	4-6 66.6%	4 2:04	*61-54			
15-23	65.2%	27-45 58.6%	4 1:30		REB: 20 A: 3 BLK: 1 TO: 11 PF: 8		
Reuter, Jason, 1 Free Throw missed			T I M E - O U T		Maysville No. 2		
15-23 65.2% 27-45 58.6%					S: 12 FT: 9-12 75.0% FG: 22-52 42.3%		
Follow Tip by Boley, Scott			4 1:29		Foul on Turner, Jerome		
2 5 Foul on Childress, J.J.			4 1:29	*62-54			
1-2	50.0%	5-8 62.5%	4 1:16	62-56*	2 ft Lane Follow by King, Jerry		
Abrams, Cliff, 2 Free Throws missed 1st made 2nd			4 1:07		REB: 22 A: 3 BLK: 1 TO: 11 PF: 9		
			T I M E - O U T		No. 1 LaRue County		
			4 1:07		Sub In: Simpson, J. D. Out: Case, Mike		
REB: 30 A: 5 BLK: 3 TO: 17 PF: 5			4 1:02		Foul on Simpson, J. D.		
S: 2 FT: 5-8 62.5% FG: 27-46 58.6%			4 1:02		Sub In: Case, Mike Out: Simpson, J. D.		
1-3	33.3%	6-10 60.0%	4 1:02	*64-56			
Childress, Paul, 1 & Bonus made 1st missed 2nd			4 0:42	64-58*	12 ft Left Base Line Jump shot by Turner, Jerome		
			4 0:42				
3-5	60.0%	8-12 66.6%	4 0:42	64-59*	Turner, Jerome, 1 Free Throw made		
Childress, Paul, 1 & Bonus made both			4 0:39		Foul on Case, Mike		
3 6 Foul on Boley, Scott			4 0:39	*66-59			
5-7	71.4%	10-14 71.4%	4 0:31	66-62*	3 pt 22 ft Left Angle Jump shot by Moore, Pat		
Childress, Paul, 1 & Bonus made both			4 0:19		Assist by Case, Mike		
			4 0:19	*68-62	Foul on Case, Mike		
7-9	77.7%	12-16 75.0%	4 0:09		Foul on Moore, Pat		
Childress, Paul, 1 & Bonus made both			4 0:00	*69-62			
3-3	100%	13-17 76.4%	4 0:09		Sub In: King, Terry Out: Case, Mike		
Boley, Scott, 1 & Bonus made both			4 0:09		Sub In: Greene, Randy Out: King, Jerry		
			4 0:09		Sub In: Moore, Tony Out: Moore, Pat		
			4 0:09		Sub In: Walker, Dason Out: Wilburn, Chris		
			4 0:09				
			4 0:00				
Sub In: Simpkins, Bobby Out: Childress, J.J.							
Sub In: Pruitt, Mark Out: Simpkins, Bobby							

Maysville "Bulldogs" vs LaRue County "Hawks"  
2nd Half Play by Play

Tip off at 2:30 p.m. on 03/17/88 at State Tourney, Louisville  
Produced by the K.H.S.A.A. Stat Crew with FINAL III™

PAGE : 1

Player	Team	LaRue County	Time	Score	Maysville	Player	Team
Boley, Scott, Childress, J. J., Reuter, Jason, Childress, Paul, Abrams, Cliff		Ball to Hawks			King, Jerry, Moore, Pat, Wilburn, Chris, Case, Mike, Simpson, J. D.		
1	1	Foul on Boley, Scott	3 7:56		Foul on Wilburn, Chris	1	1
		Sub In: Lee, Jason Out: Abrams, Cliff	3 7:34				
10-14 71.4%	18-28 64.2%	11 ft Left Side Jump shot by Boley, Scott	3 7:34		Moore, Pat, 2 Free Throws made both	2-2	100% 4-4 100%
11-15 73.3%	19-31 61.2%	12 ft Left Base Line Turnaround by Boley, Scott	3 7:27	*37-30			
2	2	Foul on Reuter, Jason	3 6:29	*39-30			
			3 6:15		Moore, Pat, 2 Free Throws made both	4-4	100% 6-6 100%
			3 6:15		Sub In: Turner, Jerome Out: King, Jerry		
			3 5:53		Player Control Foul on Turner, Jerome	2	2
12-16 75.0%	20-33 60.6%	8 ft Right Base Line Bank by Boley, Scott	3 4:43	*41-32			
3	4	Assist by Childress, Paul			3 pt 22 ft Straight Away Jump shot by Simpson, J. D.	2-3	66.6% 14-33 42.4%
					Assist by Case, Mike	2	2
2	3	Foul on Boley, Scott	3 3:58				
		Sub In: Abrams, Cliff Out: Lee, Jason	3 3:58	41-35*	Case, Mike, 2 Free Throws missed 1st made 2nd	3-4	75.0% 7-8 87.5%
4-8 50.0%	21-34 61.7%	12 ft Lane Jump shot by Reuter, Jason	3 3:58				
			3 3:50	*43-36	3 ft Lane Driving by Wilburn, Chris	5-10	50.0% 15-34 44.1%
			3 3:36	43-38*	Foul on Case, Mike	2	3
2-2 100%	2-2 100%	Childress, J.J., 2 Free Throws made both	3 2:52	*45-38			
			3 2:52		Sub In: King, Jerry Out: Turner, Jerome		
			3 2:18		Foul on Wilburn, Chris	2	4
4-5 60.0%	22-35 62.8%	3 pt 21 ft Right Side Jump shot by Childress, J.J.	3 2:05	*48-38			
			3 1:48	48-40*	Driving Layup by Moore, Pat	6-10	60.0% 16-36 44.4%
			3 1:17	48-42*	14 ft Lane Jump shot by Simpson, J. D.	3-4	75.0% 17-37 45.9%
			3 0:11	48-44*	17 ft Right Angle Jump shot by King, Jerry	2-5	40.0% 18-38 47.3%
					Assist by Case, Mike	3	3



LaRue County					
Player		Player	Player		
30 - Roley, Sco	6/10	60.0%			
34 - Childress, 2/3		66.6%			
22 - Reuter, Ja	2/4	50.0%			
14 - Childress,	0/1	0.0%			
20 - Abrams, Cl	0/1	0.0%			
Layups	1-9 Ft	10-15 Ft	Over 15 Ft	3 Pointers	Total
4 / 6	1 / 2	3 / 7	1 / 2	1 / 2	10 / 19
66.7%	50.0%	42.9%	50.0%	50.0%	52.6%

Maysville					
Player		Player	Player		
22 - King, Jerr	2/6	33.3%	10 - Greene, Ra	0/1	0.0%
55 - Moore, Pat	3/6	50.0%	24 - Turner, Je	1/3	33.3%
25 - Wilburn, C	3/5	60.0%			
12 - Case, Mike	1/4	25.0%			
14 - Simpson, J	2/4	50.0%			
Layups	1-9 Ft	10-15 Ft	Over 15 Ft	3 Pointers	Total
3 / 4	3 / 10	3 / 5	1 / 4	2 / 6	12 / 29
75.0%	30.0%	60.0%	25.0%	33.3%	41.4%

BOX SCORE: \* OFFICIAL FIRST HALF \* Date: 03-17-88 Site: State Tourney, Louisville Attendance: 16,250

Team: Maysville

NO.	NAME	TOTAL FG		3-POINT		FT	FTA	REB				PF	TP	A	TO	BLK	S	MIN
		FG	FGA	FG	FGA			O	D	T	T							
22	King, Jerry	1	2	0	1	0	0	0	1	1	1	2	0	0	0	1	16	
55	Moore, Pat	5	8	0	0	0	0	3	1	4	0	10	0	0	0	0	16	
25	Wilburn, Chris	4	9	0	0	0	0	3	1	4	0	8	0	1	1	2	15	
12	Case, Mike	0	6	0	1	2	2	1	3	4	1	2	1	3	0	1	14	
14	Simpson, J. D.	1	2	0	0	0	0	0	0	0	0	2	0	3	0	0	11	
24	Turner, Jerome	2	3	0	0	0	0	0	0	0	1	4	0	0	0	1	8	
TEAM								1	1									
TOTALS		13	30	0	2	2	2	8	6	14	3	28	1	7	1	5	80	
Percentages:		HALF-----		FG		13/ 30	43.3%	3-PT.		0/ 2	0.0%	Deadball Rebounds		FT		2/ 2	100.0%	
		Period 1				7/ 12	58.3%			0/ 0	0.0%					2/ 2	100.0%	
		Period 2				6/ 18	33.3%			0/ 2	0.0%					0/ 0	0.0%	

Team: LaRue County

NO.	NAME	TOTAL FG		3-POINT		FT	FTA	REB				PF	TP	A	TO	BLK	S	MIN
		FG	FGA	FG	FGA			O	D	T	T							
30	Boley, Scott	9	13	0	0	0	0	2	2	4	0	18	0	0	2	0	16	
34	Childress, J.J.	3	3	1	1	0	0	0	2	2	0	7	1	3	0	0	16	
22	Reuter, Jason	3	6	0	0	0	0	2	3	5	1	6	0	2	0	0	16	
14	Childress, Paul	1	1	0	0	0	0	0	1	1	1	2	2	3	0	1	16	
20	Abrams, Cliff	1	4	0	0	0	0	0	0	0	1	2	0	0	0	0	16	
TEAM								4	8	12	3	35	3	8	2	1	80	
TOTALS		17	27	1	1	0	0	4	8	12	3	35	3	8	2	1	80	
Percentages:		HALF-----		FG		17/ 27	63.0%	3-PT.		1/ 1	100.0%	Deadball Rebounds		FT		0/ 0	0.0%	
		Period 1				7/ 13	53.8%			1/ 1	100.0%					0/ 0	0.0%	
		Period 2				10/ 14	71.4%			0/ 0	0.0%					0/ 0	0.0%	

OFFICIALS: Ernie Liggett, Dwight Gordon

Technical: None

SCORE BY PERIODS

Maysville 16 12 = 28  
LaRue County 15 20 = 35

Produced by the K.H.S.A.A. Stat Crew with FINAL III™

Maysville "Bulldogs" vs LaRue County "Hawks"  
1st Half Play by Play

PAGE : 1

Tip off at 2:30 p.m. on 03/17/88 at State Tourney, Louisville  
Produced by the K.H.S.A.A. Stat Crew with FINAL III™

Player	Team	LaRue County	Time	Score	Maysville	Player	Team	
Boley, Scott, Childress, J.J., Reuter, Jason, Childress, Paul, Abrams, Cliff Ball to Hawks			King, Jerry, Moore, Pat, Wilburn, Chris, Case, Mike, Simpson, J. D.					
1-1	100%	1-1 100%	6 ft Lane Driving by Childress, J.J.	1 7:46	Foul on King, Jerry	1	1	
				1 7:25	0-2* Driving Layup by Moore, Pat	1-1	100% 1-1 100%	
				1 7:06	*2-2			
				1 6:52	2-4* 6 ft Lane Turnaround by Wilburn, Chris Assist by Case, Mike	1-1	100% 2-2 100%	
1-2	50.0%	2-6 33.3%	4 ft Lane Turnaround by Reuter, Jason	1 5:42	2-6* 14 ft Lane Driving by Simpson, J. D.	1-1	100% 3-3 100%	
				1 5:19	*4-6			
				1 4:58	4-8* Follow Layup by Wilburn, Chris	2-3	66.6% 4-5 80.0%	
				1 4:31				
1-1	100%	3-8 37.5%	16 ft Right Side Jump shot by Abrams, Cliff Assist by Childress, Paul	1 4:31	4-10* Case, Mike, 2 Free Throws made both	2-2	100% 2-2 100%	
				1 3:47	*6-10			
				1 3:14	6-12* Driving Layup by Moore, Pat	2-2	100% 5-7 71.4%	
1-5	20.0%	4-10 40.0%	6 ft Left Side Bank by Boley, Scott	1 2:36				
				1 2:15	*8-12			
				1 1:58	8-14* 8 ft Lane Driving by King, Jerry	1-1	100% 6-10 60.0%	
2-6	33.3%	5-11 45.4%	15 ft Lane Jump shot by Boley, Scott	1 1:36	*10-14			
2-2	100%	6-12 50.0%	3 pt 22 ft Right Angle Jump shot by Childress, J.J.	1 1:05	*13-14			
				1 0:44	13-16* 9 ft Right Side Turnaround by Moore, Pat	3-3	100% 7-12 58.3%	
2-3	66.6%	7-13 53.8%	Turnaround Reverse Lay Up by Reuter, Jason	1 0:23	*15-16			

Maysville "Bulldogs" vs LaRue County "Hawks"  
1st Half Play by Play

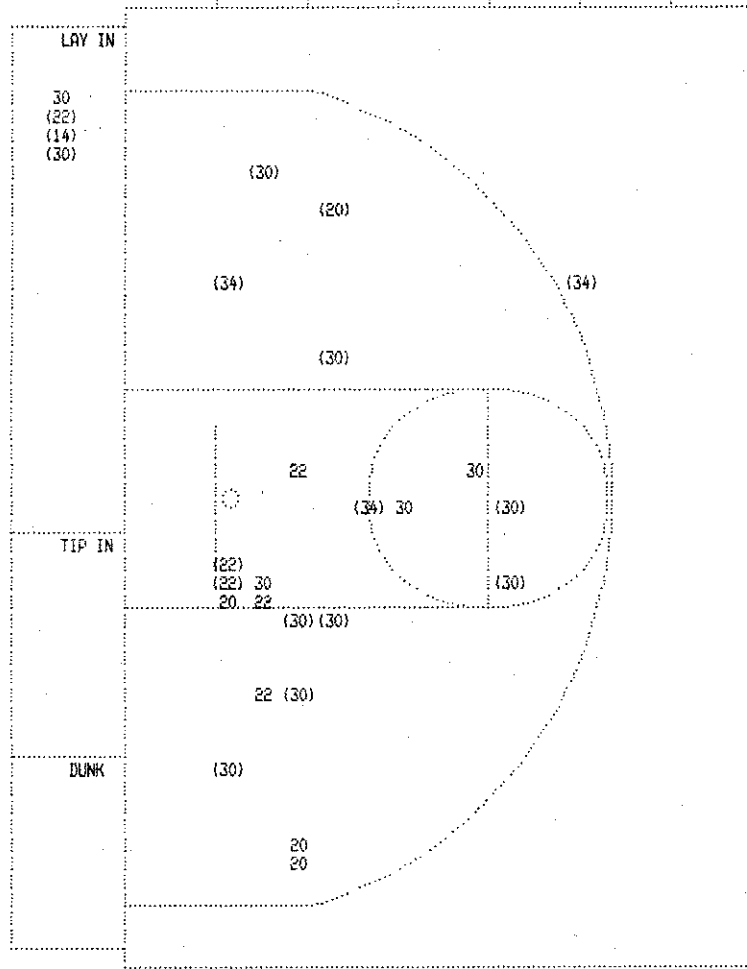
PAGE : 2

Tip off at 2:30 p.m. on 03/17/88 at State Tourney, Louisville  
Produced by the K.H.S.A.A. Stat Crew with FINAL III™

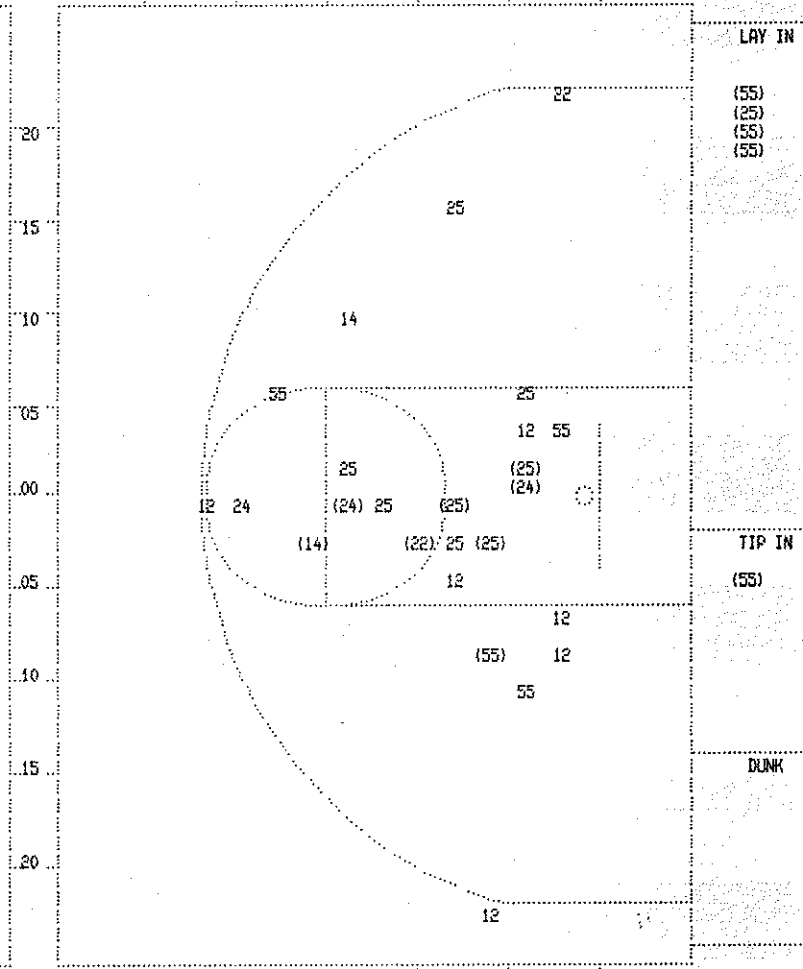
Player	Team	LaRue County	Time	Score	Maysville	Player	Team	
Boley, Scott, Childress, J.J., Reuter, Jason, Childress, Paul, Abrams, Cliff			King, Jerry, Moore, Pat, Wilburn, Chris, Case, Mike, Simpson, J. D.					
				2 7:57	Ball to Bulldogs			
				2 7:57	15-18* Sub In: Turner, Jerome Out: Wilburn, Chris	3-6	50.0% 8-13 61.5%	
				2 7:18	4 ft Lane Jump shot by Wilburn, Chris	1	2	
3-7	42.8%	8-15 53.3%	14 ft Lane Jump shot by Boley, Scott	2 7:06	*17-18 Foul on Turner, Jerome			
				2 6:51	Sub In: Wilburn, Chris Out: Simpson, J. D.			
4-8	50.0%	9-16 56.2%	9 ft Right Side Bank by Boley, Scott	2 6:31	*19-18			
1-1	100%	10-17 58.8%	Driving Layup by Childress, Paul	2 5:57	*21-18			
5-9	55.5%	11-18 61.1%	10 ft Left Side Jump shot by Boley, Scott	2 5:36	21-20* 3 ft Lane Follow by Wilburn, Chris	4-8	50.0% 9-18 50.0%	
				2 5:23	*23-20			
6-10	60.0%	12-19 63.1%	7 ft Left Side Turnaround by Boley, Scott	2 5:05	Foul on Case, Mike	1	3	
				2 5:00	*25-20			
3-4	75.0%	13-20 65.0%	4 ft Lane Driving by Reuter, Jason	2 4:38	25-22* Turnaround Layup by Moore, Pat	4-4	100% 10-20 50.0%	
				2 4:22	*27-22			
3-3	100%	14-21 66.6%	12 ft Right Base Line Jump shot by Childress, J.J.	2 3:32	*29-22			
				2 3:29				
				2 3:23	Sub In: Simpson, J. D. Out: Case, Mike			
7-11	63.6%	15-23 65.2%	14 ft Left Base Line Jump shot by Boley, Scott	2 2:38	29-24* 12 ft Lane Jump shot by Turner, Jerome	1-2	50.0% 11-23 47.8%	
8-12	66.6%	16-24 66.6%	18 ft Right Base Line Jump shot by Boley, Scott	2 2:26	*31-24			
				2 1:54	*33-24			
				2 1:36	33-26* Follow Tip by Moore, Pat	5-7	71.4% 12-26 46.1%	
				2 1:29	Sub In: Case, Mike Out: Simpson, J. D.			
				2 0:56	33-28* 3 ft Lane Driving by Turner, Jerome	2-3	66.6% 13-27 48.1%	
				2 0:22				
				2 0:22	Sub In: King, Terry Out: King, Jerry			
9-13	69.2%	17-27 62.9%	Shot by Boley, Scott	2 0:02	*35-28			

REB: 9 A: 2 BLK: 1 TD: 6 PF: 2  
S: 1 FT: 0-0 00.0% FG: 14-21 66.6% TIME - OUT Maysville No. 1  
REB: 8 A: 1 BLK: 0 TD: 6 PF: 3  
S: 3 FT: 2-2 100% FG: 10-21 47.6%

FIRST HALF SHOT CHART Produced by the K.H.S.A.A. Stat Crew with FINAL III\*\*



LaRue County					
Player	Player	Player	Player	Player	Player
30 - Boley, Sco	9/13	69.2%			
34 - Childress, J	3/3	100.0%			
22 - Reuter, Ja	3/6	50.0%			
14 - Childress, J	1/1	100.0%			
20 - Abrams, Cl	1/4	25.0%			
Layups	1-9 Ft	10-15 Ft	Over 15 Ft	3 Pointers	Total
3 / 4	6 / 11	5 / 7	2 / 4	1 / 1	17 / 27
75.0%	54.5%	71.4%	50.0%	100.0%	63.0%



Maysville					
Player	Player	Player	Player	Player	Player
22 - King, Jerr	1/2	50.0%	24 - Turner, Je	2/3	66.6%
55 - Moore, Pat	5/8	62.5%			
25 - Wilburn, C	4/9	44.4%			
12 - Case, Mike	0/6	0.0%			
14 - Simpson, J	1/2	50.0%			
Layups	1-9 Ft	10-15 Ft	Over 15 Ft	3 Pointers	Total
5 / 5	6 / 13	2 / 5	0 / 5	0 / 2	13 / 30
100.0%	46.2%	40.0%	0.0%	0.0%	43.3%